

Part number:

**HYDROMA**

HYDRAULICKÉ SYSTÉMY

**HIDROMA  
SYSTEMS**

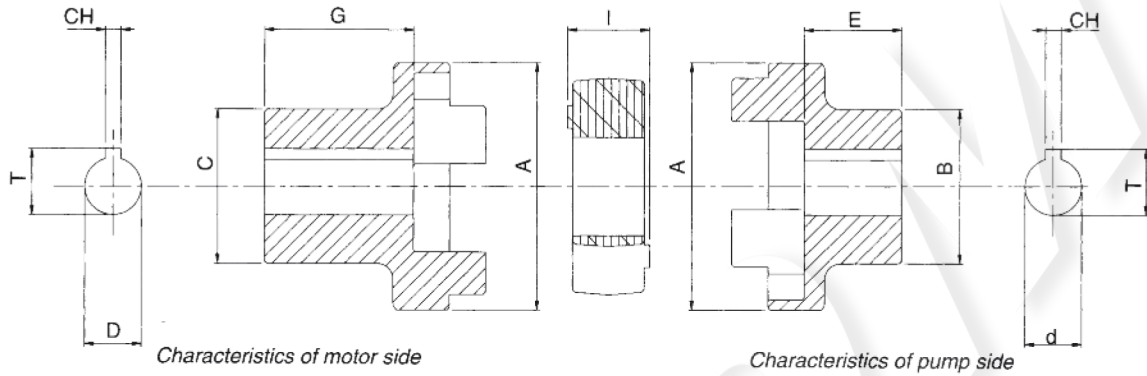
UKŁADY HYDRAULICZNE

**HYDROMA**

ГИДРАВЛИЧЕСКИЕ СИСТЕМЫ

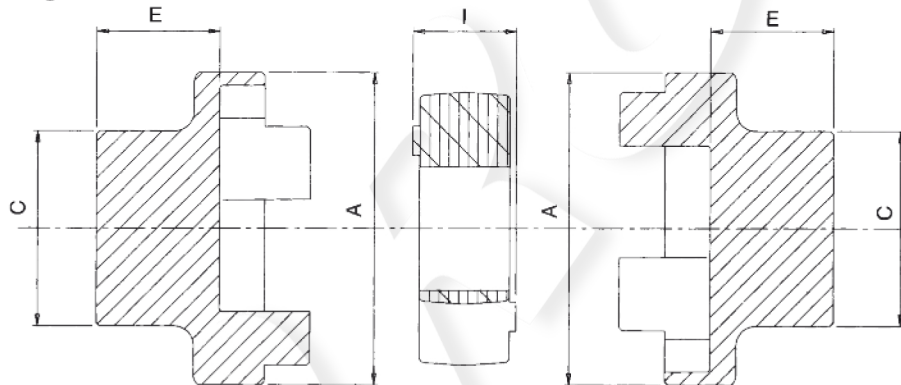
## ALUMINIUM COUPLINGS

series **ND**



## BLANK ALUMINIUM COUPLINGS

series **NS**

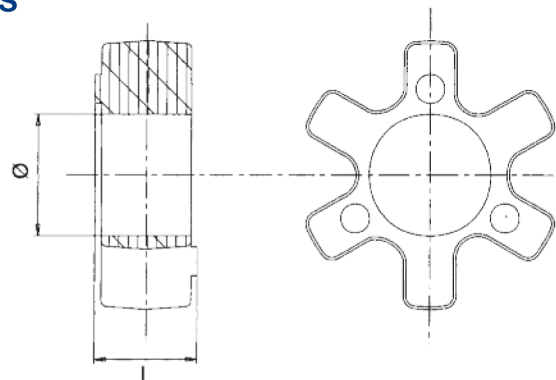


## RUBBER SPIDERS

series **R**

Table

Coupling size	Type	Rubber spider Dimensions (mm)		
		l	Ø	d albero max
48	R-42	16	19	14
65	R-62	18	29	22
86	R-82	20	31,5	24
108	R-103	24	42	32
143	R-132	29	64	50



## TECHNICAL DATA

Type	Max. torque (Nm)	max. power at revs/min				Max. misalignment		
		750	1000	1500	3000	Angular	Radial (mm)	Axial (mm)
ND 48	6,86	0,54	0,72	1,1	2,1	2°	0,5	1
ND 65	38,2	3	4	6	12	2°	1	1,6
ND 86	87,3	6,84	9,12	13,7	27,3	2°	1	1,8
ND 108	210	16,5	22	33	65,8	2°	1	2
ND 143	725	57	76	144	228	2°	1	2

Max. misalignment and torque in Nm supported by OMT halfcouplings. Both versions of couplings can partially compensate angular, radial and axial misalignments.